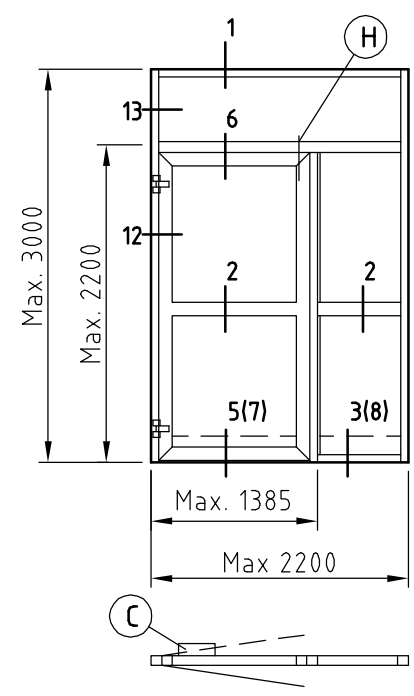
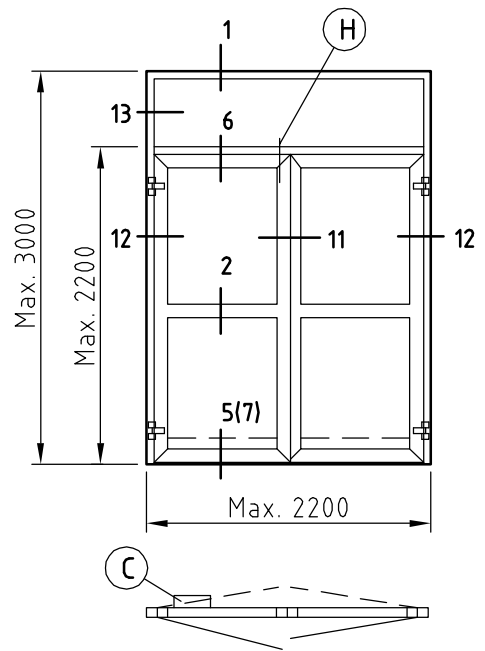
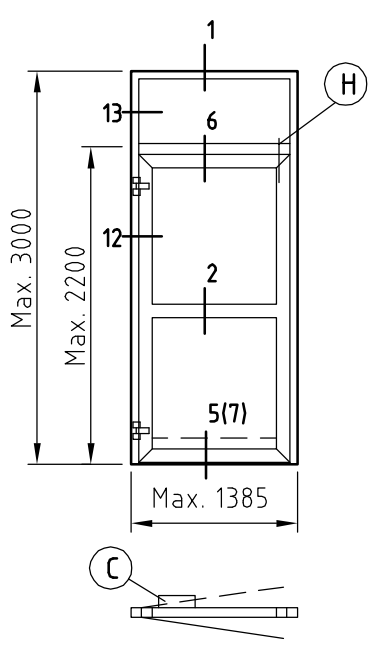
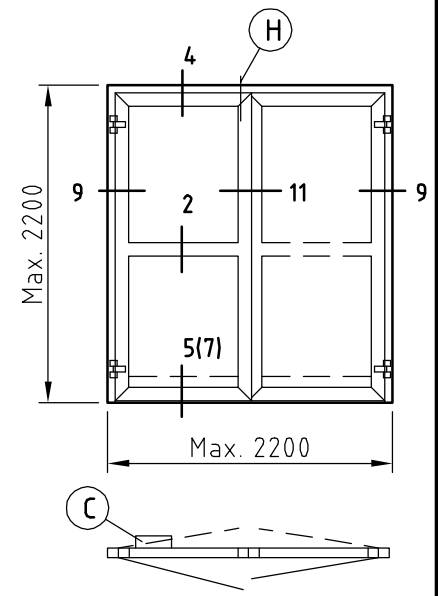
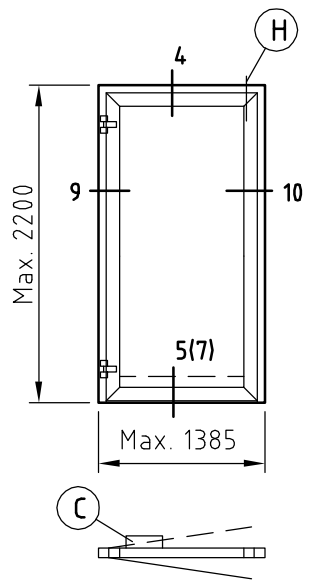
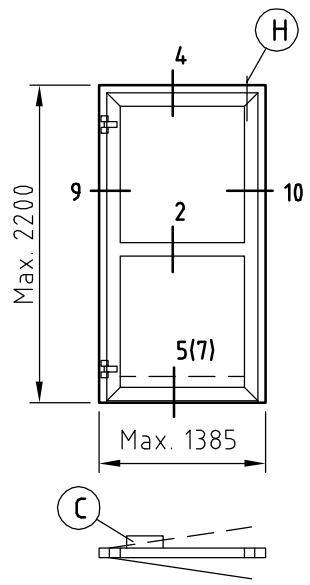


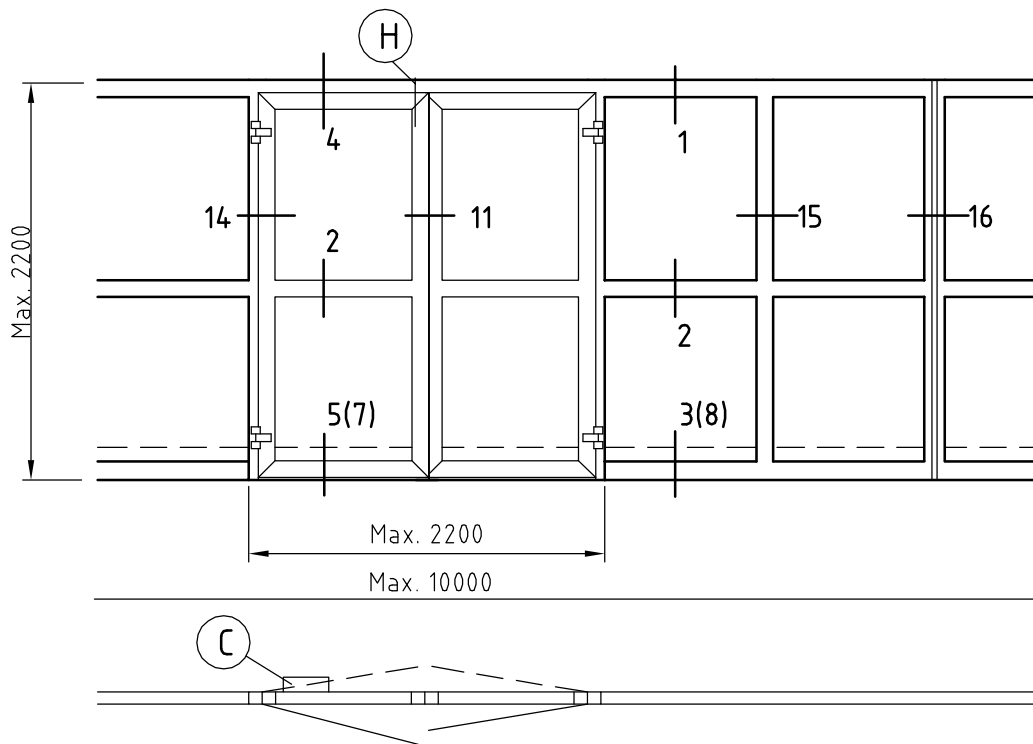
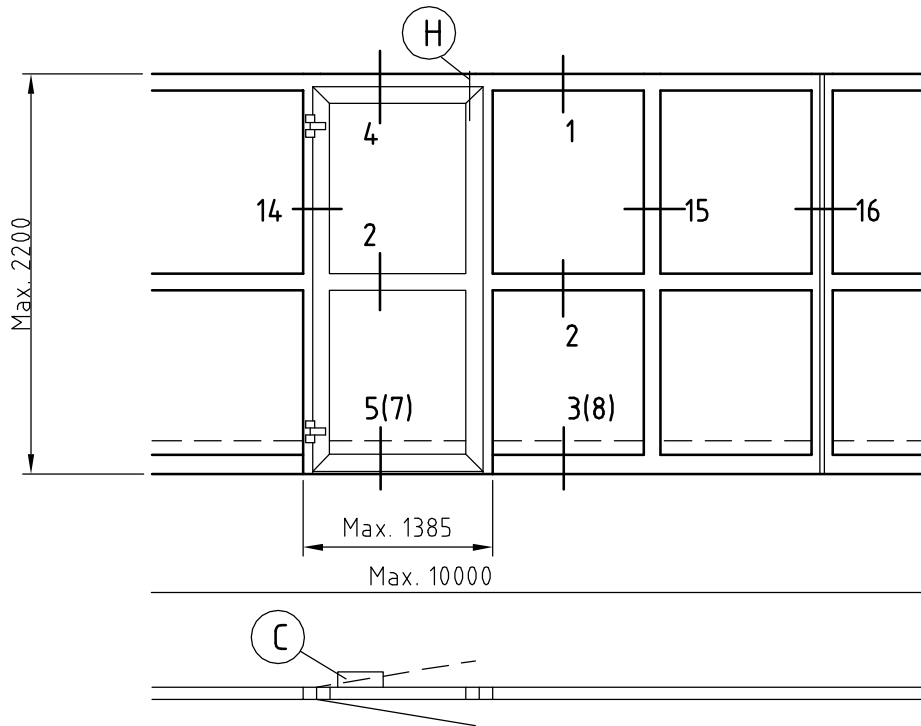
Copyright Sapa. Rätt till ändringar förbehålles. We reserve the right to change the drawing.



REFERENCE:

Bill of materials, see drawing P2000-131, 132

	Elevations		FIRE DOORS 2050	
	Doors with side and top lights		-	04-11
	Fire resistance grade E30		P2000-111	



REFERENCE:

Bill of materials, see drawing P2000-131, 132



Elevations
Screens
Fire resistance grade E30

FIRE DOORS 2050

- 04-11 P2000-112

Glass

Type	Thickness	Max dim. (WxH), mm	Certificate No.
Pyrodur 30-10	7 mm	1000×2000 (2100×800)	1474/87
Pyrodur 30-10	11 mm	1400×2000 (2100×800)	
Pyrodur 30-201	10 mm	1200×2600 (2100×800)	
Pyrodur 30-251	24-30 mm	1200×2600 (2100×800)	
Pyrodur 30-271	27-33 mm	1200×2600 (2100×800)	
Pyrodur 30-281	24-33 mm	1200×2600 (2100×800)	
Pyrobelite 7 IG	7 mm	1126×1102 (2100×800)	2997/91
Contraflam lite	13 mm	1200×2300 (2100×800)	0306/03
Pyran	6 mm	1200×2000 (2100×800)	0537/98
Wire net glass	6-7 mm	1200×1200 (2100×800)	
x) 6-7 Wired glass (SS 224406) 9 mm air 6 mm float glass	21-22 mm	1200×1200 (2100×800)	
x) 6-7 Wired glass (SS 224406) 9 mm air 4 mm float glass 9 mm air 4 mm float glass	32-33 mm	1200×1200 (2100×800)	

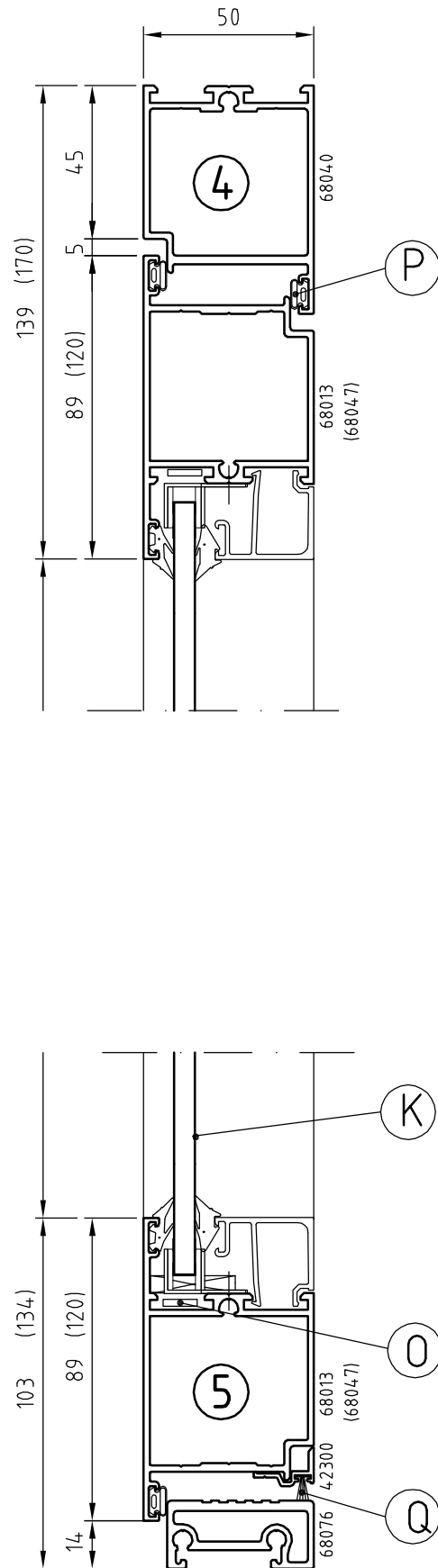
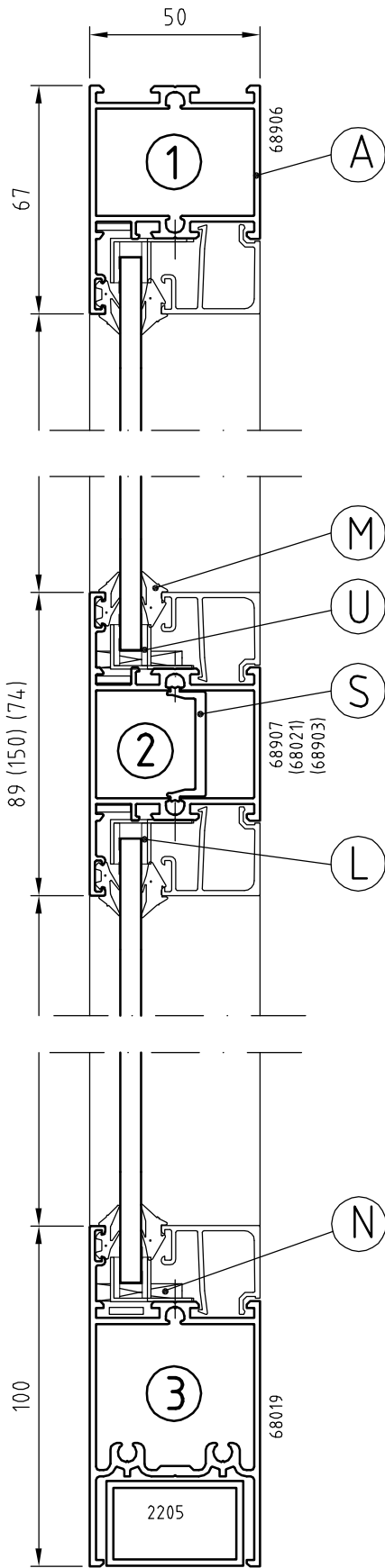
x) Attention! Double glazed units to be placed with wired glass on the opposite side of fire.

Infill panel

Type	Thickness	Max dim. (WxH), mm	Certificate No.
Ceminwood board (Min. 26mm)	28-30 mm	600x2400 1100x1100 2150x700	0429/79
Minerit board (Min. 26mm)	28-30 mm		2884/79
Gypsum board Min. 28 mm (15+13)	30-32 mm		
Mineral wool >140 kg/m ³ Min. 30 mm	32-34 mm		
Vermilculux	27-29 mm		

Panel skin alternatives

- Anodized or powder painted aluminium sheet 1,5 / 2,0 mm
- Stainless steel sheet 1,0 / 2,0 mm
- Enamelled sheet 1,0 / 2,0 mm



REFERENCE:

Bill of materials, see drawing P2000-131, 132
 Details of sections, see drawing P2000-133 to 135



Section 1-5

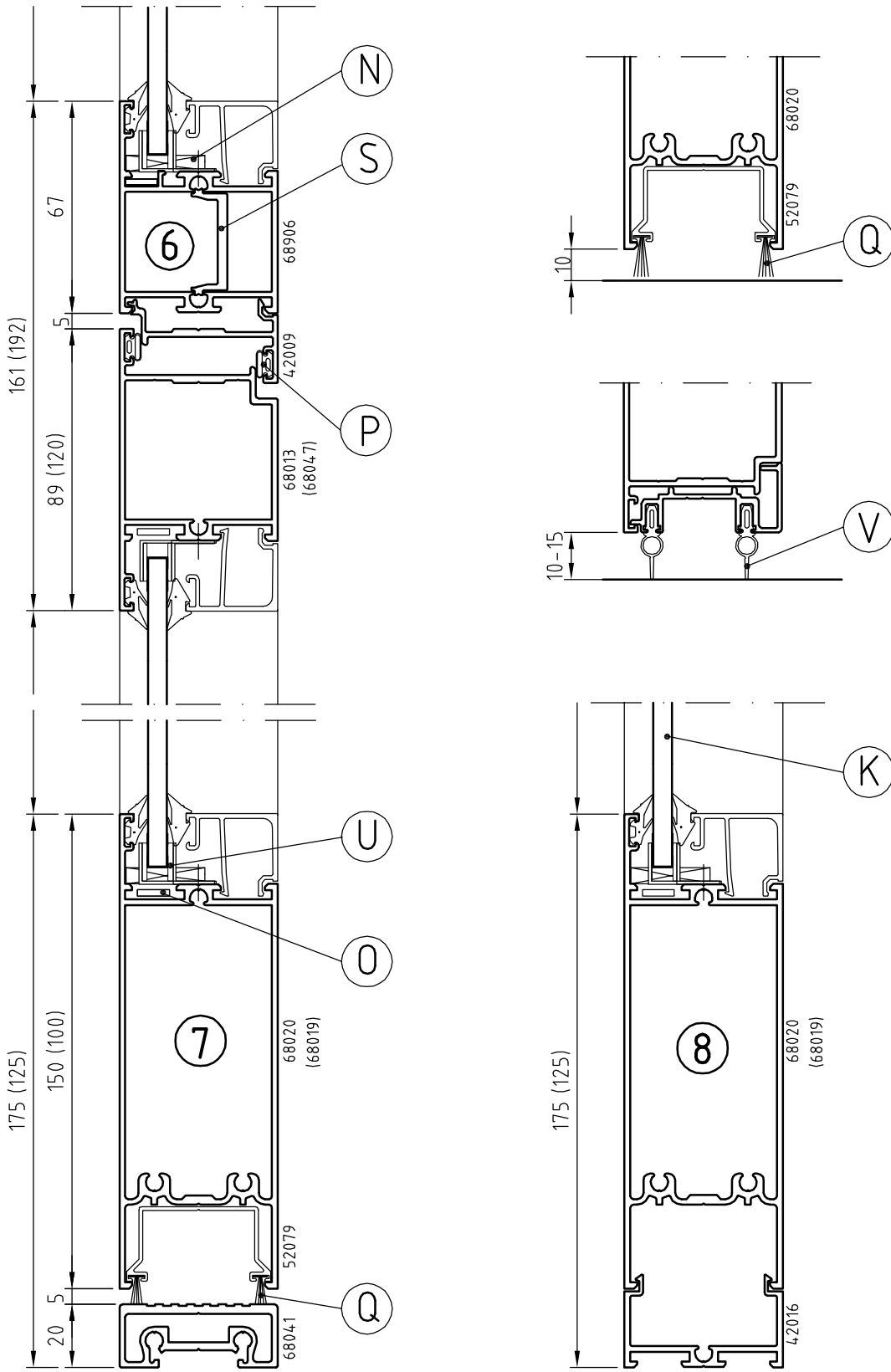
Fire resistance grade E30

FIRE DOORS 2050

1:2

04-11

P2000-121



REFERENCE:

Bill of materials, see drawing P2000-131, 132
 Details of sections, see drawing P2000-133 to 135



Section 6-8

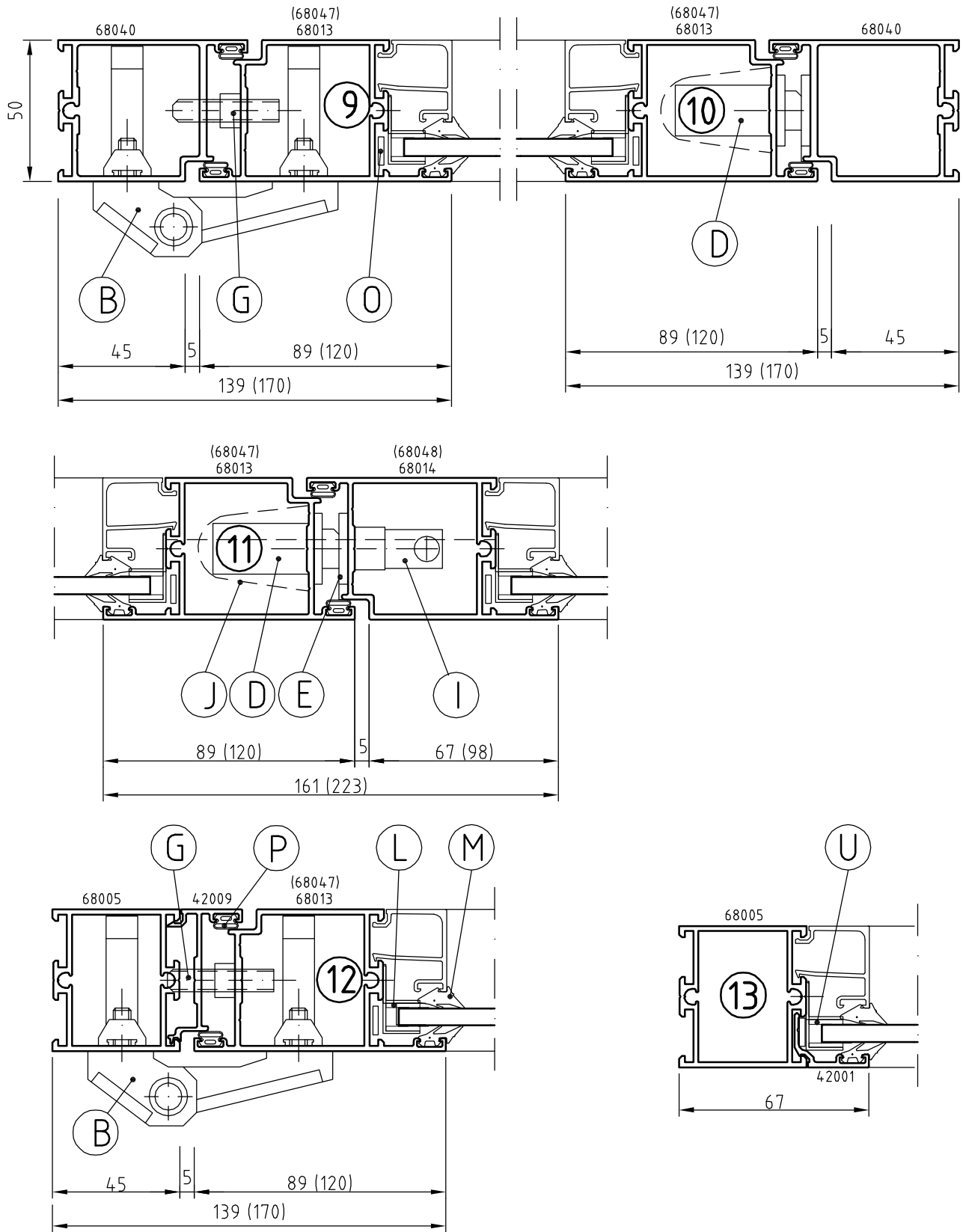
Fire resistance grade E30

FIRE DOORS 2050

1:2

04-11

P2000-122



REFERENCE:

Bill of materials, see drawing P2000-131, 132
 Details of sections, see drawing P2000-133 to 135



Section 9-13

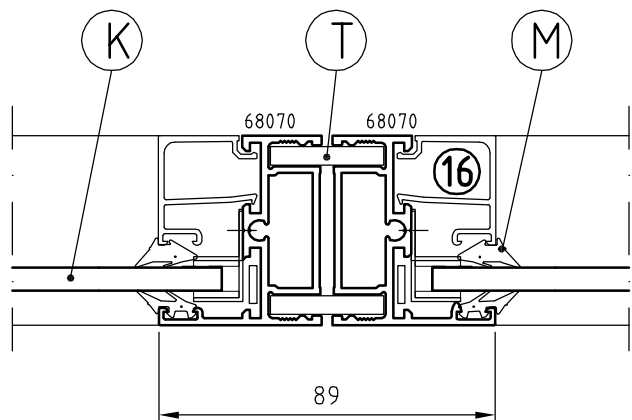
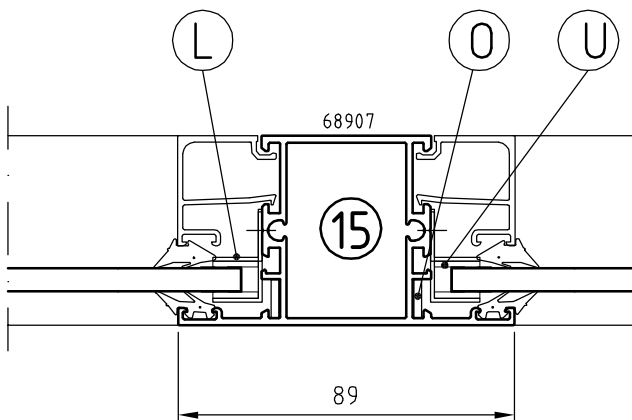
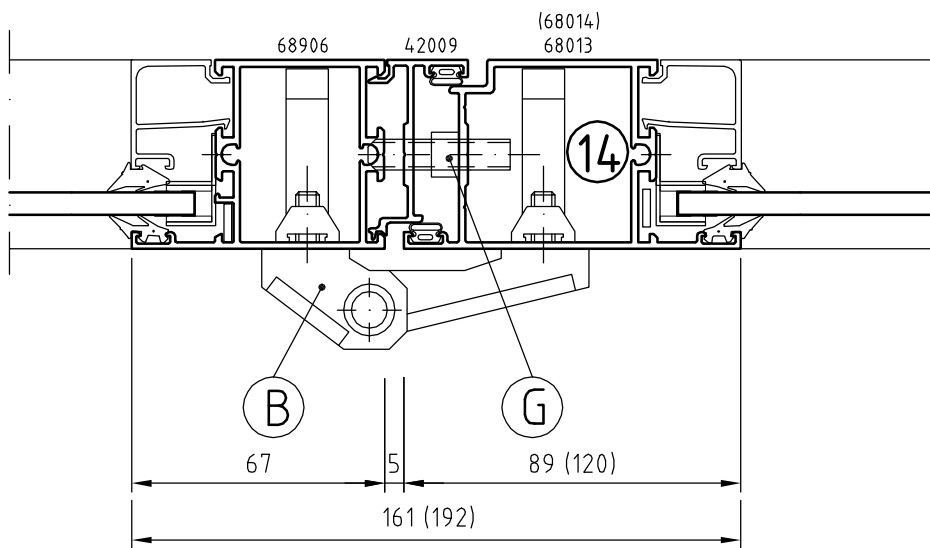
Fire resistance grade E30

FIRE DOORS 2050

1:2

04-11

P2000-123



REFERENCE:

Bill of materials, see drawing P2000-131, 132

Details of sections, see drawing P2000-133 to 135

Copyright Sapa. Rätt till ändringar förbehålles. We reserve the right to change the drawing.



Section 14-16

Fire resistance grade E30

FIRE DOORS 2050

1:2

04-11

P2000-124

	Designation	Part No	Material	Remarks	Reference
A	Aluminium Extrusions		Alloy EN-AW-6063-T6	Surface treatment: anodized or powder coated	P2000-133 P2000-134 P2000-135
B	Hinges	14015	Aluminium with stainless steel pin \varnothing 12mm and bushing 14061		P2000-123
C	Door closer alt. approved automatic/door opener		Aluminium cast alloy	Door closer without hold open device	P2000-111 P2000-112
D	Mortice lock with latch		Latch and the parts that affects it has to be made of steel or alloy with a melting point of at least 850°C	The latch has to be impossible to inactivate and it must have a grip of 7 mm in the striking plate	P2000-123
E	Striking plate	14406	Stainless steel BS 304S15		P2000-123
			Or standard approved electric strikes with concealed cables		
G	Hinge side securing device	14017	Stainless steel BS304S15	3 pcs per hinge side (2 pcs placed in level with hinges and one in middle)	P2000-123
H	Top locking device	14026	Stainless steel BS304S15	To be secured with locktite	P2000-111
I	2 pcs singel action flush bolt	14411 14412 14415 14416 14434	zink or steel cast alloy		P2000-123
	or 1 double action flush bolt			Alt. automatic flush bolts in combination with co-ordinator and door closer on each door leaf	
J	Intumescent sheet	18313 18314	Pyroplex sheet, 250x100x1 mm Pyroplex sheet, 250x180x1 mm		P2000-123
K	Fire glass unit/ Infill panel		According to glass/infill alternatives		P2000-113
L	Glazing clips	12809 12810 12811 12813	Stainless steel BS304S15	Length = 80mm	P2000-181
M	Glazing gasket		Cloroprene		P2000-181
N	Setting and location blocks		Beech or other hard wood material with similar density	Thickness = 5 mm	P2000-181
O	Intumescent strip	18303	Intumex L 10x2 alt. Pyroplex 10x2 mm		P2000-181



Bill of materials

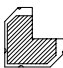
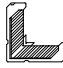
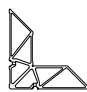
Fire resistance grade E30

FIRE DOORS 2050

-

04-11

P2000-131

	Designation	Part No	Material	Remarks	Reference
P	Weather strip	18030	Chloroprene		P2000-121
Q	Wool pile	18101 18106	Nylon		P2000-121
R	Sealing compound	12222		For sealing corner connections.	
S	Aluminium reinforcement	42410 42411 42412	Alloy EN-AW-6063-T6	As an alternative anodized section 0012 (25x3), 0029 (40x3) or al.plate 100x3 may be used.	P2000-121 P2000-135
T	Aluminium reinforcement	0083	Alloy EN-AW-6063-T6	Dim 30x5	P2000-124
U	Glazing strip	18334	Intumex alt. Fiberfrax	Thickness 1 mm Dim. 3,2x12 mm	P2000-181
V	Smoke restrainer	18400	EPDM		P2000-122
X	Corner cleat 	11026		Suitable to 68057	
	Corner cleat 	11027		68059	
	Corner cleat 	11415	Alloy EN-AW-6063-T6	68005 68906	

Copyright Sapa. Rätt till ändringar förbehålles. We reserve the right to change the drawing.

sapa 

Bill of materials

Fire resistance grade E30

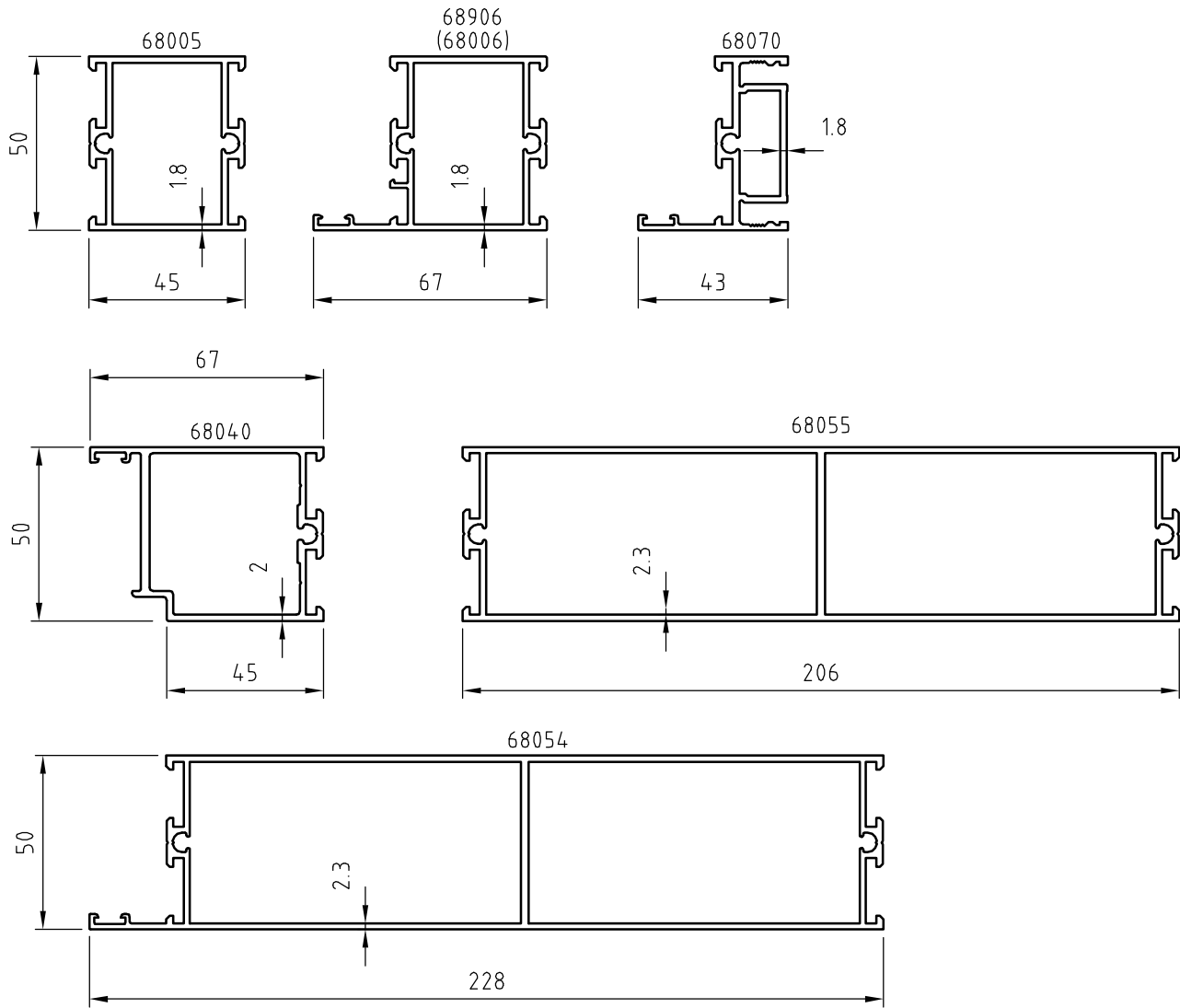
FIRE DOORS 2050

-

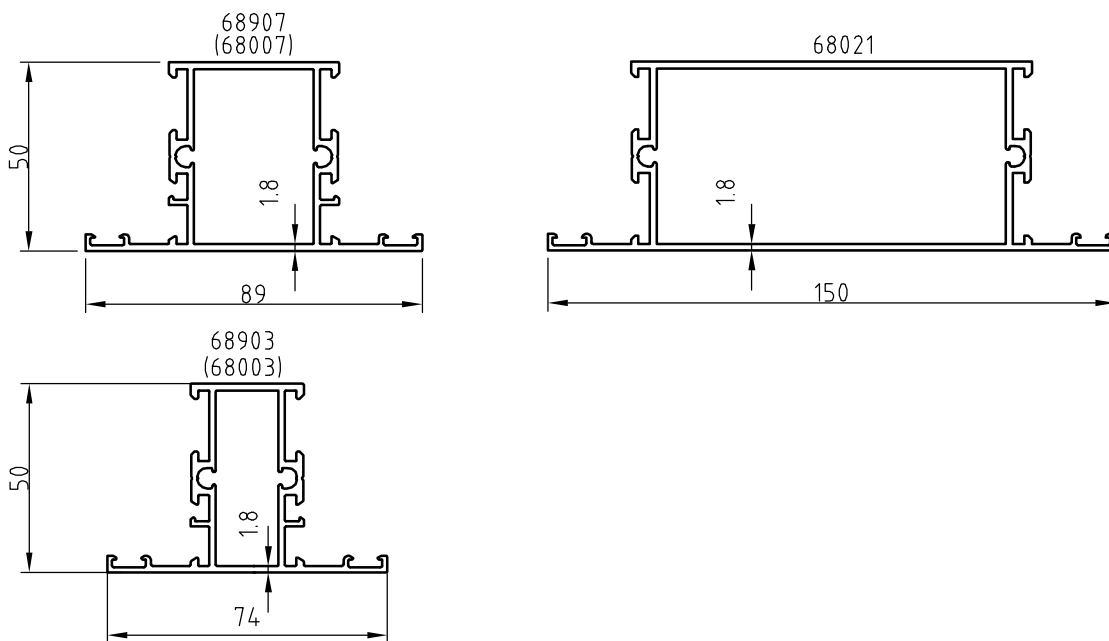
04-11

P2000-132

Frame extrusions



Cross bar extrusions



Copyright Sapa. Rätt till ändringar förbehålles. We reserve the right to change the drawing.



Sections

Fire resistance grade E30

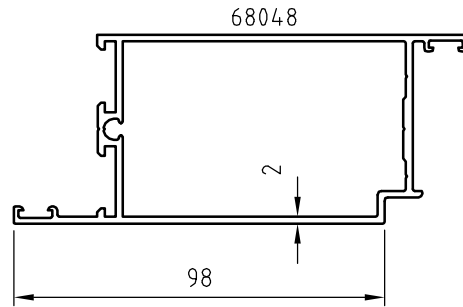
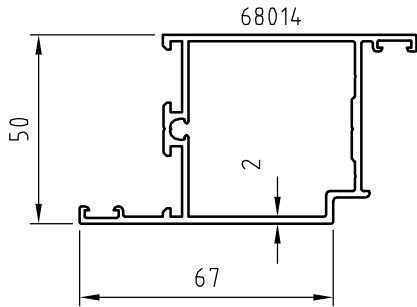
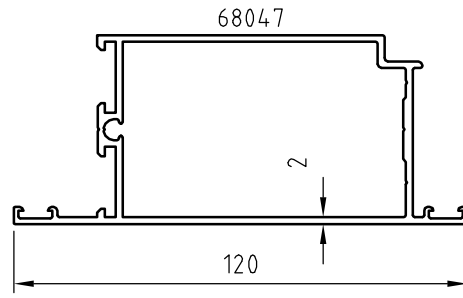
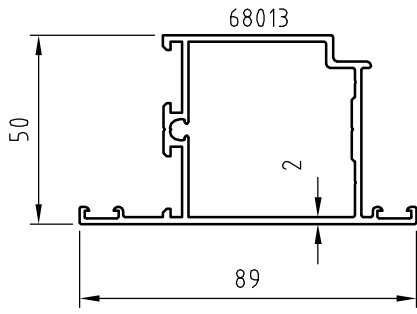
FIRE DOORS 2050

1:2

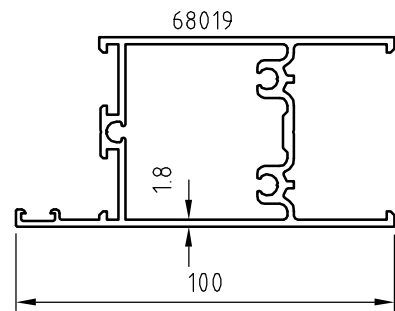
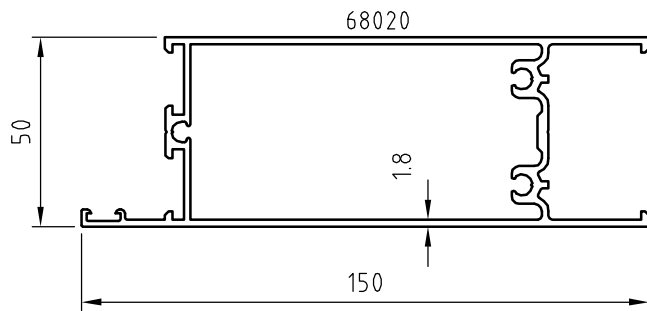
04-11

P2000-133

Door leaf extrusions



Bottom rail extrusions



Copyright Sapa. Rätt till ändringar förbehålles. We reserve the right to change the drawing.



Sections

Fire resistance grade E30

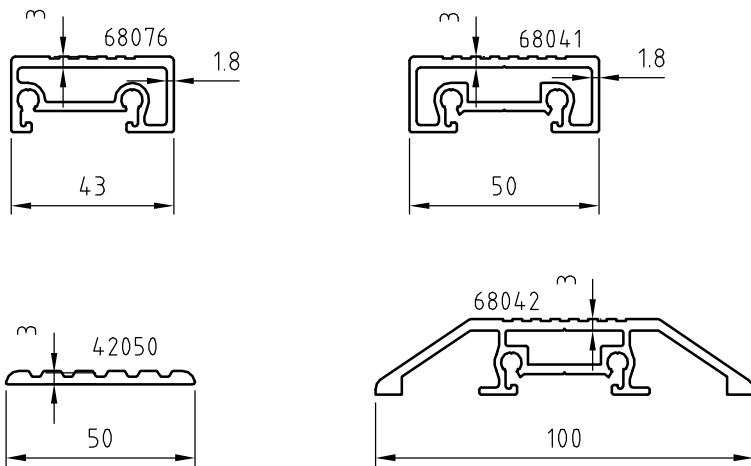
FIRE DOORS 2050

1:2

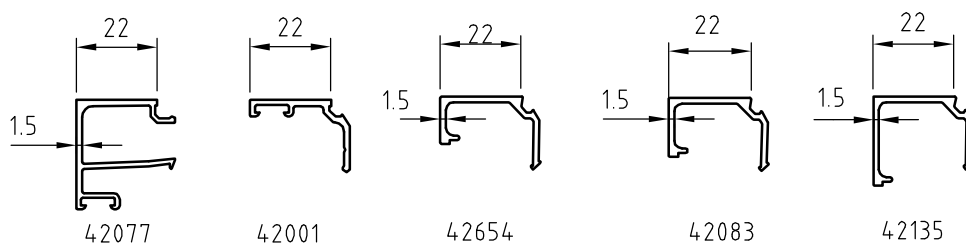
04-11

P2000-134

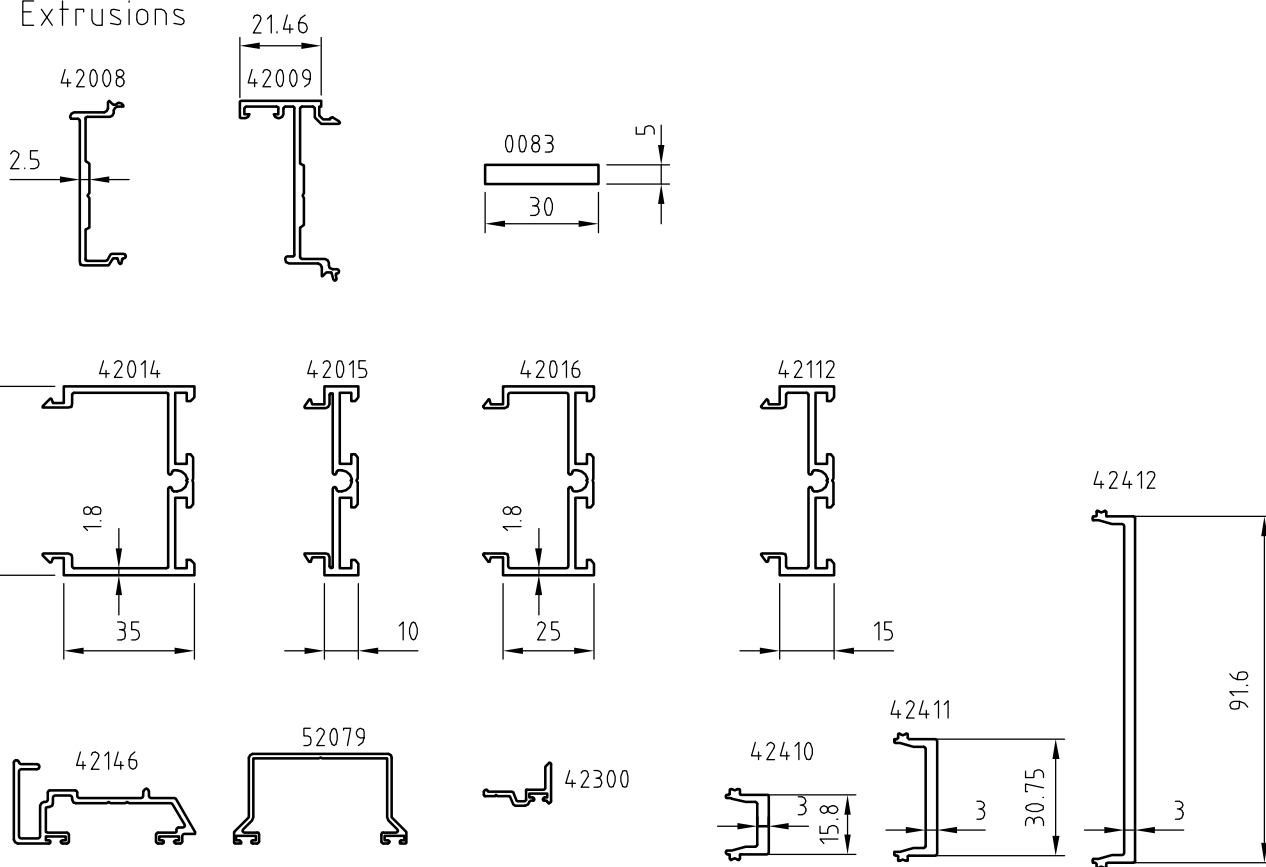
Threshold extrusions



Glazing bead extrusions



Additional Extrusions



Copyright Sapa. Rätt till ändringar förbehålles. We reserve the right to change the drawing.



Sections

Fire resistance grade E30

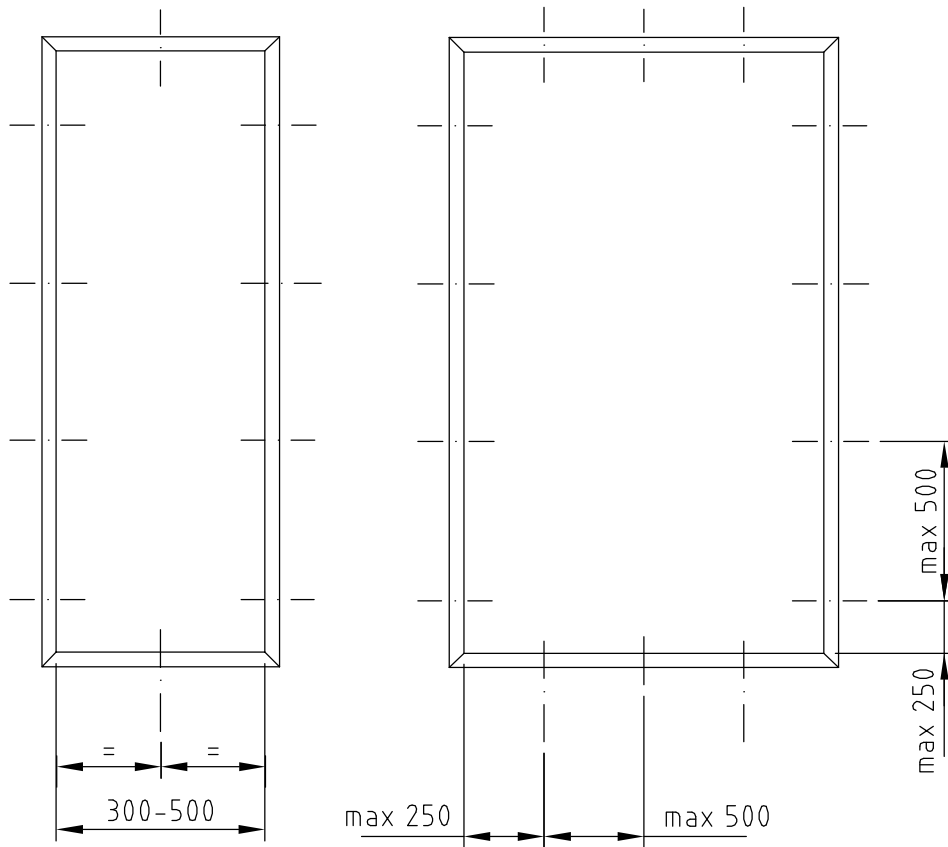
FIRE DOORS 2050

1:2

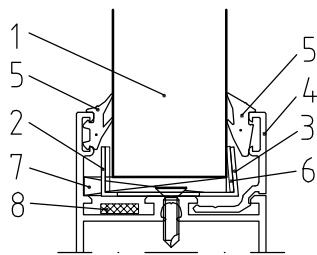
04-11

P2000-135

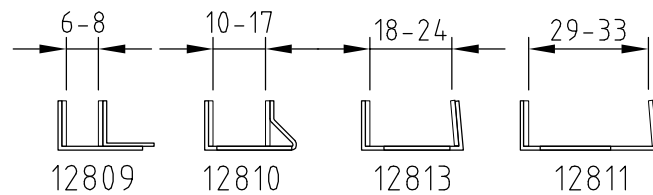
----- Glazing clips



No clips at bottom and top are needed, when daylight is less than 300 mm.



1. Fire glass unit/Infill panel
2. Glazing clip 1
3. Glazing clip 2
4. Glazing bead
5. Chloroprene gasket
6. Glazing strip
7. Setting block
8. Intumescent strip



Copyright Sapa. Rätt till ändringar förbehålles. We reserve the right to change the drawing.



Positioning of glazing clips

Fire resistance grade E30

FIRE DOORS 2050

-

04-11

P2000-181

Copyright Sapa. Rätt till ändringar förbehålles. We reserve the right to change the drawing.

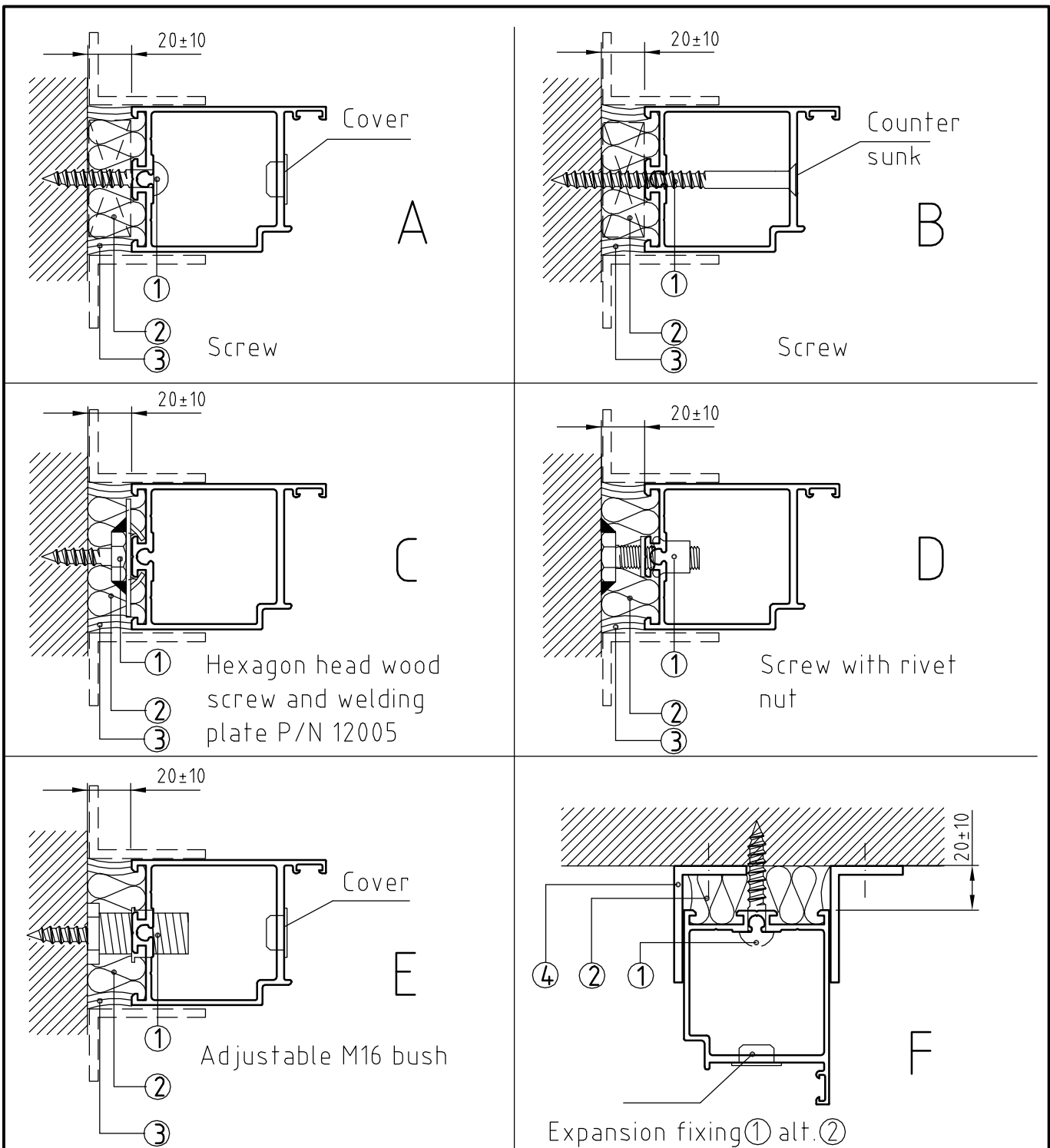
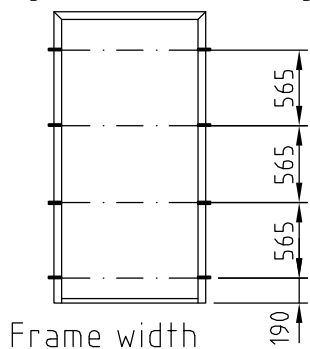
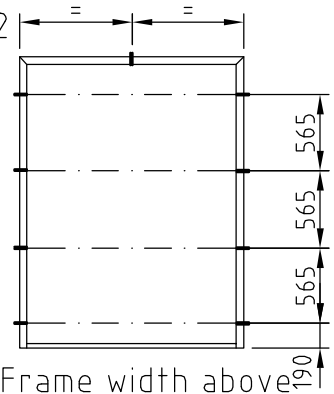


Figure 1



Frame width below 12m

Figure 2



Frame width above 12m

- ① Assembly fittings to be placed according to figure 1 or 2
- ② Insulation with mineral wool
- ③ Aluminium angle alt. sealing compound
- ④ Aluminium angle



Installation instructions for
Door frame
Fire resistance grade E30

FIRE DOORS 2050

1:2 | 04-11 | P2000-191

Copyright Sapa. Rätt till ändringar förbehålles. We reserve the right to change the drawing.

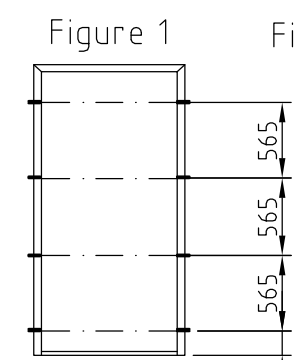
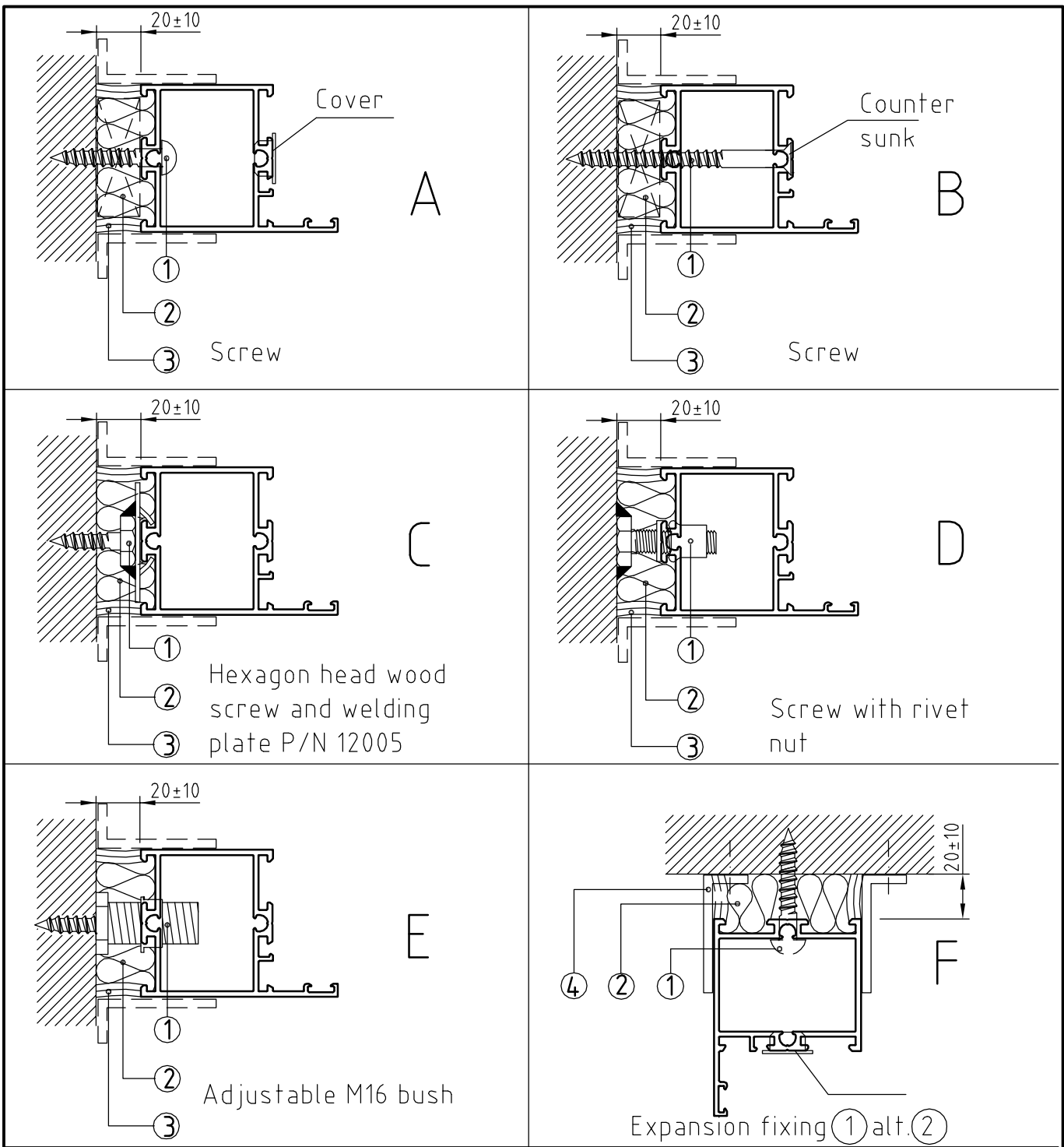


Figure 1
Frame width below 12m

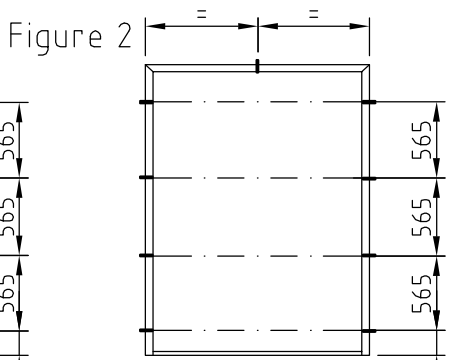


Figure 2
Frame width above 12m

- ① Assembly fittings placed according to figure 1 or 2
- ② Insulation with mineral wool
- ③ Aluminium angle alt. sealing compound
- ④ Aluminium angle